



5kW Wind Turbine

Information

The Wind Energy 5 kW wind turbine

The perfect wind turbine for domestic or light commercial applications, ideally suited to battery charging, grid supply, or use in a hybrid configuration.

The Wind Energy 5 kW wind turbine is a good all round choice offering complete autonomy to most households or a back up power supply for high power consumers.

We encourage the use of our wind turbines for several reasons ranging from its cost effectiveness to its being eco-friendly and totally non-polluting. We carry out ISO9001 standard to give our customers extra comfort and security, in addition to that, all our products have the CE certifications for the European market.

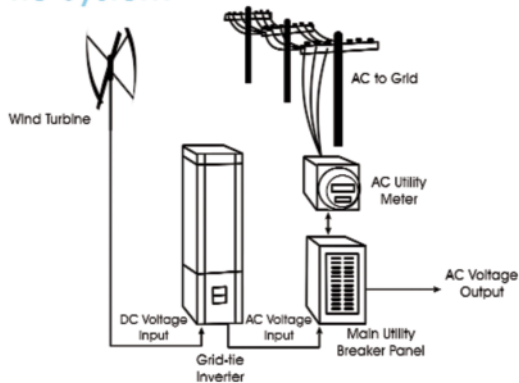
Please contact us at info@windenergylebanon.com or visit our website at www.windenergylebanon.com for more information.



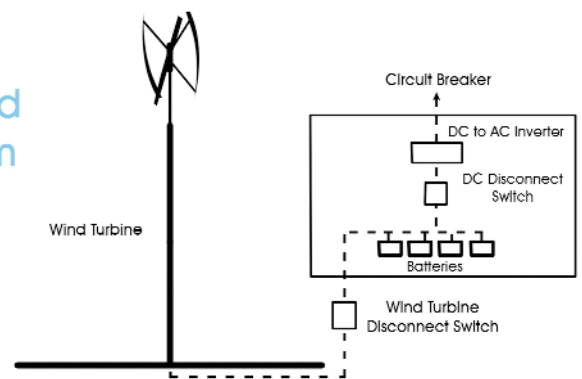


Schematics

Grid-Tie System



Off-Grid System



Specifications

Performance:

Rated Power - 5 kW
 Rated Wind Speed - 12 m/s
 Operating Range - 3 - 25 m/s
 Maximum Wind Speed - 40 m/s

Physical Parameters:

Blade Diameter - 6m
 Tower Height (Standard) - 9m
 Gross Weight w/o tower - 250 kg

Generator

Type: -Permanent Magnet Direct Drive Generator
 Rated Temperature - -40°C to 115°C

DC Controller

Rated Power - 5kW
 Output Voltage - 280V DC (Off Grid)
 200-400V DC (Grid-Tie)

Off-Grid Inverter:

Input (DC) - 280V DC
 Rated Frequency - 50/60 Hz
 Overload - 150% 10 second

Grid-Tie Inverter:

Manufacturer: Sin Wave
 Input (DC) - 200 - 400V DC
 Grid-Tie Inverter is ordered to meet local grid specifications

Batteries:

We suggest 20 sets of 12V 200 Amp Batteries.

Power curve

